

Cable Tidy Large

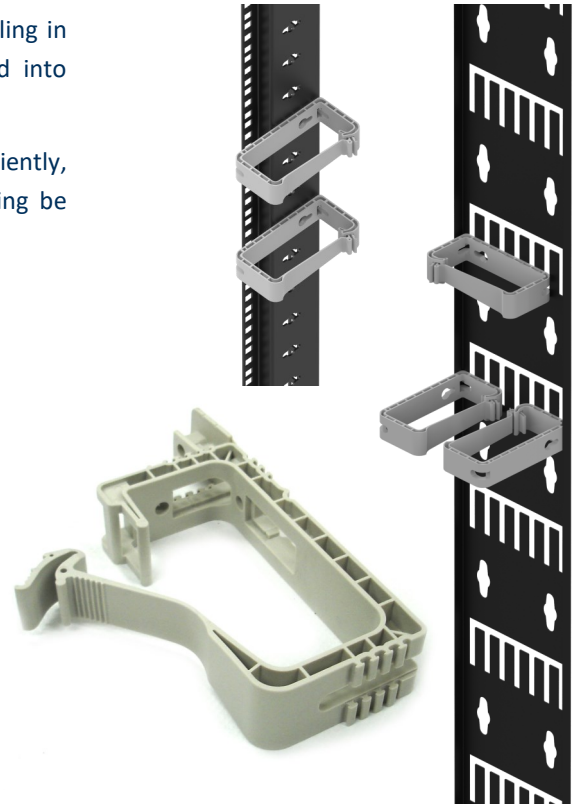
USpace cable tidy rings are a quick, neat and versatile way to retain cabling in multiple locations within the rack space. Each ring can be screw fixed into position using the M6 fasteners supplied within the kit.

The secure clip-locking facility ensures cables are retained quickly and efficiently, but it also enables the ring to be easily opened should additional cabling be required after initial installation.

Typical mounting details shown onto 19" rails and cable trays.

Compatible with

USpace 5210, 4210, EDGE. Most EIA 310 compliant racks.



Specification

| | |
|--|--|
| Part number | CTL-AA |
| Description | Cable tidy (large) kit |
| Screw head | Pozi pan head |
| Fixing sizes | 1 x M6 x 16mm screw, 1 x M6 serrated nut, 1 x M6 cage nut. |
| Cable tidy external dimensions approx. | 120mm x 28mm x 60mm |
| Cable tidy internal dimensions approx. | 105mm x 45mm |
| Colour | Grey |
| Material | Polypropylene |
| Pack quantity | 1 |
| Weight | 50g |



We engineer for a sustainable tomorrow.